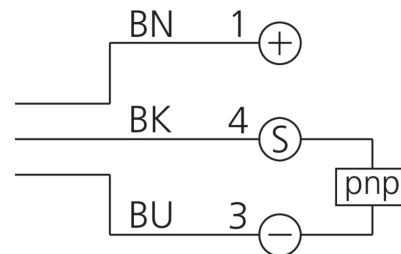
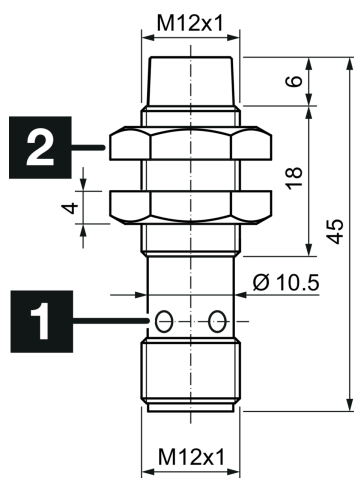




**206643**  
**DCCK 12 M 04 PSK-IBSL**  
**Inductive proximity sensor**

- Metal connector
- Integrated amplifier
- Short-circuit protection
- Starting pulse suppression
- LED



1) LED (4x)

2) Width over flats 17 mm

BK: black

BN: brown

BU: blue

**Function**



**Technical data (typ.)**

**+20°C, 24 V DC**

Service voltage	10 ... 30 V DC
No-load current (max.)	< 10 mA
Insulation voltage endurance	500 V
Installation type	non-flush
Thread	M12 x 1
Housing length	45 mm
Housing material	Brass (nickel-plated)
Tightening torque (max.)	10 Nm
Protection class	III, operation on protective low voltage
Operating principle	inductive
Evaluation	digital
Design	Thread
Product series	INS-100 Standard
Switching output	pnp, 200 mA, NO
Voltage drop (max.)	2,4 V
Switching distance (SN)	4 mm
Standardized measuring plate	12 x 12 x 1 mm
Switching hysteresis (max.)	15 %
Switching frequency	800 Hz
Ambient temperature during operation	-25 ... +70 °C

**206643****DCCK 12 M 04 PSK-IBSL****Inductive proximity sensor****Technical data (typ.)****+20°C, 24 V DC**

Protection type

IP 67

Connection

Connector, M12, 4-pin

Connection cable

VK ...

**More information / accessories**<https://www.di-soric.com/206643>