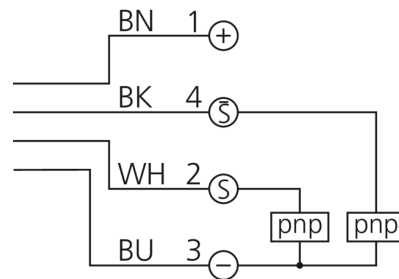
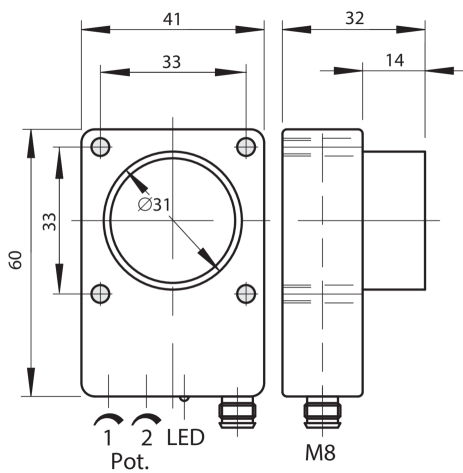




202579
US 60 K 500 PSS-TSSL
Ultrasonic sensor

- Robust housing
- Compact design
- Working range adjustable
- Resistant to dirt
- Insensitive to ambient noise
- Measuring does not depend on surface
- Switching output
- High resolution
- Piezo-ceramic composite transducer



BK: black BN: brown BU: blue WH: white

Function



Technical data (typ.)

+20°C, 24 V DC

Service voltage	15 ... 30 V DC
No-load current (max.)	60 mA
Insulation voltage endurance	500 V
Housing dimensions	60 x 41 x 18 mm
Housing material	Plastic (PA)
Protection class	III, operation on protective low voltage
Operating principle	Ultrasonic sensor
Evaluation	digital
Design	Cuboid design
Switching output	pnp, 100 mA, NO (2x)
Switching distance	80 ... 500 mm
Resolution	0,2 % (Sn max.)
Switching hysteresis (max.)	15 mm
Accuracy	< 1 % (Sn max.)
Switching frequency	180 kHz
Switching frequency	8,0 Hz
Activation time	50 ms
Release time	80 ms (50% Sn max.)
Ambient temperature during operation	-20 ... +50 °C
Temperature drift	1 %/K (-20 to +50°C)

**202579****US 60 K 500 PSS-TSSL****Ultrasonic sensor****Technical data (typ.)****+20°C, 24 V DC**

Protection type

IP 67

Connection

Connector, M8, 4-pin

Connection cable

TK ... /4

More information / accessories<https://www.di-soric.com/202579>