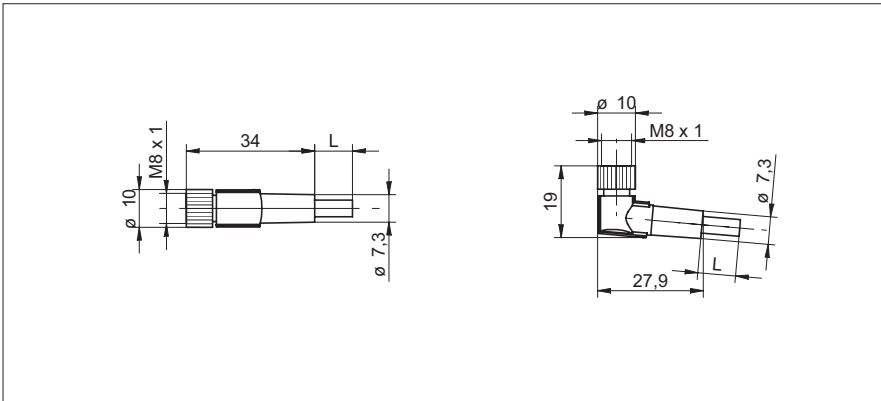


Connector M8 x 1 with attached PUR-cable

dimension drawing



- 3-wire
- PUR halogen-free
- suitable for flexible cable carriers
- self-locking cap nut
- UL listing file No. E315836

General data

Nominal current I_N	4 A
Nominal voltage U_N	60 V
Number of positions	3
Volume resistance	$\leq 5 \text{ m}\Omega$
Insulation resistance	$\geq 100 \text{ M}\Omega$
Length of cable	see listing
Stripping length of the free conductor end	50 mm
Ambient temperature (operation)	-25 ... 90 °C

General characteristics

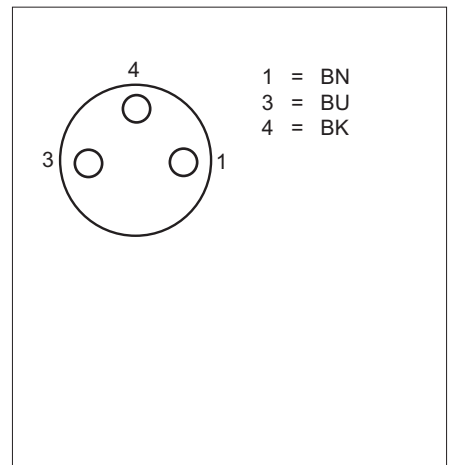
Coding	A-standard
Surge voltage category	II
Pollution degree	3
Degree of protection	IP65/IP67/IP68
Contact material	CuSn
Contact surface material	Ni/Au
Contact carrier material	TPU GF
Material of grip body	TPU, hardly inflammable, self-extinguishing
Material, knurls	Zinc die-cast, (nickel-plated)
Sealing material	NBR
Status display	no

Conductor data

Cable type	PUR halogen-free black
Cable abbreviation	Li9Y11Y-HF
Conductor cross section	3x0,25 mm ²
AWG signal line	24
Conductor structure, signal line	32x0,10 mm
Core diameter including insulation	1,17 mm $\pm 0,02$ mm
Thickness, insulation	$\geq 0,21$ mm (Core insulation)
External cable diameter	3,60 mm $\pm 0,15$ mm
Wire colors	Brown, blue, black
External sheath, color	Black-gray RAL 7021

type	Mat.-No.	length
straight connectors		
ESG 32SH0200	10127785	2 m
ESG 32SH0300	10148618	3 m
ESG 32SH0500	10127787	5 m
ESG 32SH1000	10127789	10 m
angular connectors		
ESW 31SH0200	10127794	2 m
ESW 31SH0500	10127795	5 m
ESW 31SH1000	10127796	10 m
other lengths on request		

pin assignment



Connector M8 x 1 with attached PUR-cable

Conductor data (cont.)	
Insulation resistance	≥ 100 GΩ*km
Conductor resistance	≤ 78 Ω/km
Nominal voltage, conductor	300 V
Test voltage, conductor	3000 V
Overall twist	3 wires, twisted
Outer sheath, material	PUR
Material conductor insulation	PP
Conductor material	Bare Cu litz wires
Cable weight	18 kg/km
Smallest bending radius, movable installation	36 mm
Number of bending cycles	10'000'000
Bending radius	44 mm
Traversing path	10 m
Traversing rate	3 m/s
Acceleration	10 m/s ²
Ambient temperature (operation)	-40 ... 80 °C (cable, fixed installation) -25 ... 80 °C (cable, flexible installation)
Special properties	Suitable for drag chains Silicone-free Free of substances which would hinder coating with paint or varnish
Flame resistance	As per UL 758/1581 FT2 As per DIN EN 60332-2-2 (20 s)
Halogen-free	As per DIN VDE 0472 part 815
Resistance to oil	complying with DIN EN 60811-2-1
Other resistance	Highly resistant to acids, alkaline solutions and solvents hydrolysis and microbe resistant